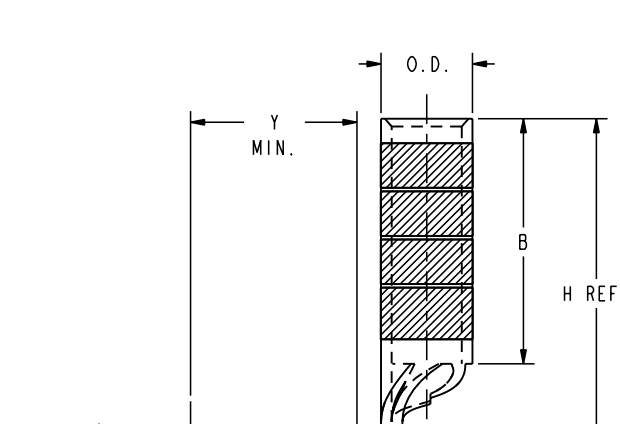
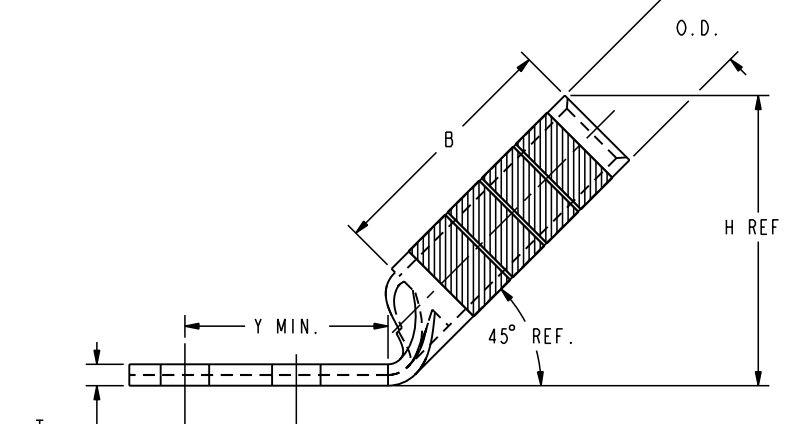
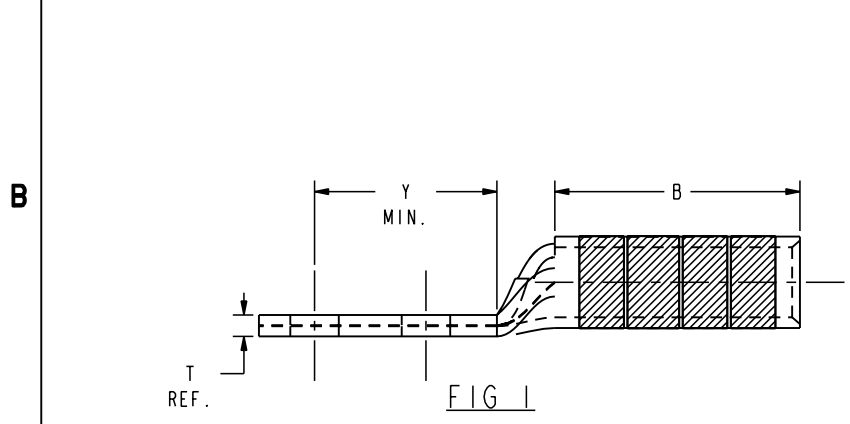
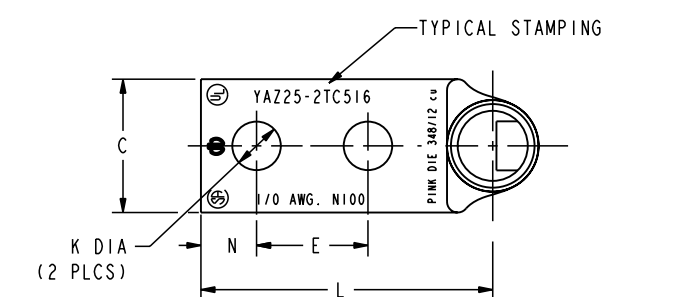
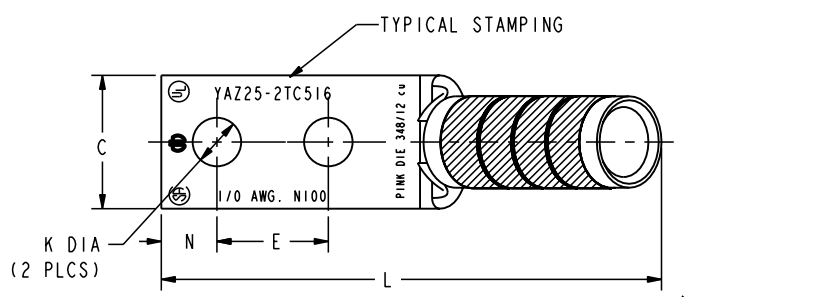
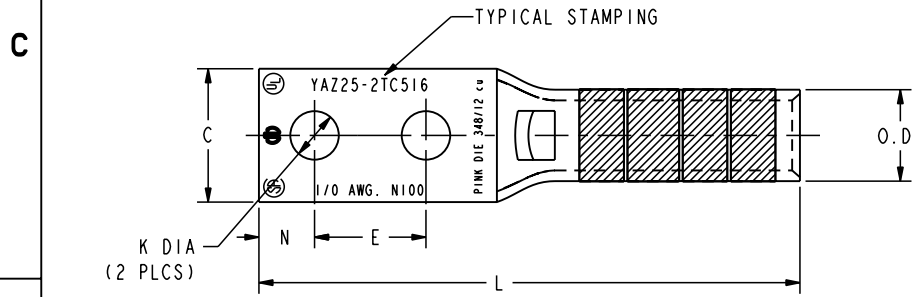


REV	DATE	DESCRIPTION	ECO	BY	C'H'K.
A	4/11/2008 12:00:00 AM	REDRAW INTO PRO-E & CATALOG NUMBER UPDATE	16757	DG	BSK

CATALOG NO.	CONDUCTOR		BOLT SIZE	FIG. NO.	DIMENSIONS										INSTALLATION TOOLING (# CRIMPS)										
	CODE (AWG)	NAVY			B	C	E	H REF.	K DIA.	L	N	O.D.	T REF.	Y MIN.	DIE INDEX	COLOR CODE	MECHANICAL RATCHET			HYDRAULIC				DIELESS (# CRIMPS)	WIRE STRIP LENGTH
																	MD7-34R MD6	OUR840	Y2MR	Y34A	Y750	Y46	Y45		
YAZ252TC516	1/0 AWG [-----]	100	1.38 [35]	.75 [19]	1.00 [25]	----	.33 [8]	3.47 [88]	.34 [9]	.51 [13]	.12 [3]	1.37 [35]	12 OR 348	PINK	W25VT W25RT (4)	W25VT W25RT (4)	----	A25R A2CAB (2)	U25RT U2CABT (2)	U25RT U2CABT (2)	U25RT U2CABT (2)	MECHANICAL: MY29-11 (1)	1-7/16		
YAZ252TC51645																									
YAZ252TC51690																									
YAZ252TC38																									
YAZ252TC3845																									
YAZ252TC3890	1/0 AWG [-----]	100	1.38 [35]	.75 [19]	1.00 [25]	----	.40 [10]	3.60 [91]	.41 [10]	.51 [13]	.12 [3]	1.43 [36]	12 OR 348	PINK	W25VT W25RT (4)	W25VT W25RT (4)	----	A25R A2CAB (2)	U25RT U2CABT (2)	U25RT U2CABT (2)	U25RT U2CABT (2)	HYDRAULIC: Y644, Y644M, Y644MBH, Y1000, Y1000BH (1)	1-7/16		



- NOTES:
- MATERIAL: COPPER TUBING.
 - FINISH: TIN PLATED
 - CATALOG # PT6515 ADAPTOR IS REQUIRED TO USE "U" DIES IN Y45 SERIES TOOLS.
 - CATALOG # PUADP-1 ADAPTOR IS REQUIRED TO USE "U" DIES IN Y46 SERIES TOOLS.
 - NAVY CABLE SIZE MAY BE OMITTED ON SOME SIZES BECAUSE OF SPACE LIMITATIONS.
 - DIMENSIONS, METRIC WIRE, & METRIC BOLT SIZES IN BRACKETS [] ARE IN MILLIMETERS. DIMENSIONS ARE ROUNDED OFF TO THE NEAREST MILLIMETER, UNLESS OTHERWISE NOTED, AND ARE FOR REFERENCE ONLY.
 - FOR USE BY CUSTOMERS THAT HAVE THIS HYPRESS.™ NO NEW Y34A HYPRESS™ ARE BEING PROCESSED.

TO ORDER BURNDY® PRL		HYLUG™	
ITEM NO:	N/A	DRAWING NO	
CAT. NO:	YAZ25-2NTC- (SEE TABLE)	SIZE	SE211915
DRAWN BY:	D. BOISVERT 11/12/98	REL LEVEL:	Released
CHECKER:	K. HENRY 12/03/98	SHEET 22 OF 36	
DSN APPVL:	B. MACDONALD 12/02/98	REV	
MFG APPVL:	N/A	A	
QA APPVL:	S. GARY 11/30/98	SCALE: 4:1	
MKT APPVL:	N/A		
PROD FAM:	--		
PROJECT #:	--		
DOCUMENT TYPE:	Sales		
REL LEVEL:	Released		